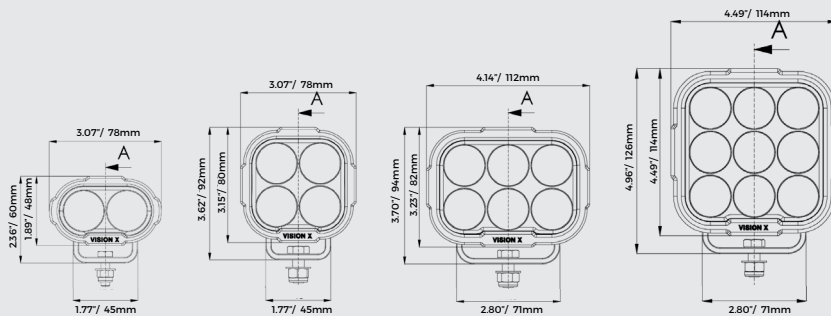




PART #	H3002F	H3004F	H3006F	H3009F
<b>Pod Size :</b>	3.06" x 2.04" x 2.36" 77.9 x 52 x 60mm	3.14" x 2.04" x 3.62" 79.9 x 52 x 92mm	4.40" x 2.04" x 3.68" 111.9 x 52 x 93.5mm	4.48" x 2.44" x 4.96" 113.9 x 62 x 126mm
<b>Pod Weight:</b>	0.8 lbs   0.45 kg	1.2 lbs   0.54 kg	1.5 lbs   0.68 kg	2.2 lbs   1 kg
<b>LED Type:</b>	XPL2 HD	XPL2 HD	XPL2 HD	XPL2 HD
<b>Watts   Amps:</b>	16W   1.3A @ 12V	32W   2.7A @ 12V	48W   4A @ 12V	72W   6A @ 12V
<b>Raw Lumens:</b>	1,800	3,600	5,400	8,100
<b>Beam Type:</b>	Wide Flood	Wide Flood	Wide Flood	Wide Flood
<b>Beam Distance:</b>	128' (39m)	209' (64m)	236' (72m)	292' (89m)
<b>Beam Width:</b>	85' (26m)	125' (38m)	148' (45m)	177' (54m)
<b>Lens Material:</b>	UV Coated PC	UV Coated PC	UV Coated PC	UV Coated PC
<b>Connector:</b>	2-pin DT (290mm)	2-pin DT (290mm)	2-pin DT (290mm)	2-pin DT (290mm)
<b>Mounting Bolt:</b>	M6 x 20	M8 x 20	M8 x 20	M8 x 20
<b>Color Temp:</b>	5800k	5800k	5800k	5800k
<b>Voltage Range:</b>	11-32 V	11-32 V	11-32 V	11-32 V
<b>Temp Range:</b>	-40°C to 80°C -40°F to 176°F	-40°C to 80°C -40°F to 176°F	-40°C to 80°C -40°F to 176°F	-40°C to 80°C -40°F to 176°F
<b>IP Rating:</b>	IP68/69K	IP68/69K	IP68/69K	IP68/69K
<b>Vibration:</b>	21 Grms	21 Grms	21 Grms	21 Grms
<b>Thermal Shock:</b>	IEC 60068-2-14	IEC 60068-2-14	IEC 60068-2-14	IEC 60068-2-14
<b>Salt Spray:</b>	KSD 9503	KSD 9503	KSD 9503	KSD 9503
<b>EMC:</b>	CE & UKCA ECE R10 CISPR Class 3	CE & UKCA ECE R10 CISPR Class 3	CE & UKCA ECE R10 CISPR Class 3	CE & UKCA ECE R10 CISPR Class 3

Lamp housings are 55mm deep with a centered cable (85mm total depth when including the cable bent to 90 degrees).



Machine kits available.



- 1** LED Flood Work Light
- 2** LED Spot Work Light
- 3** Selective Yellow Optional Lighting
- 4** LED Engine Bay Work Light
- 5** Amber Beacon Warning Light
- 6** Blue or Green Beacon Optional Lighting