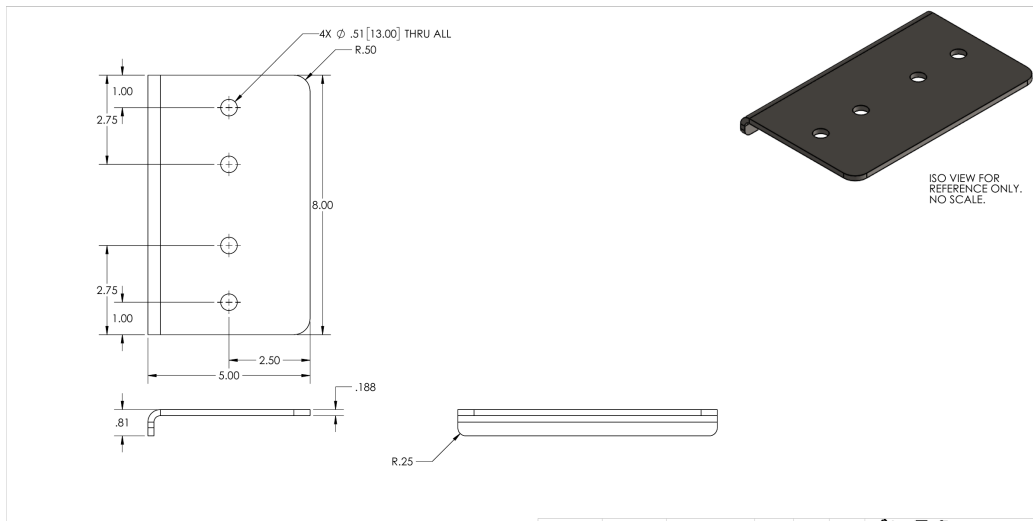


Mining Grade LED Lights: D8T Dozer Mounting Bracket

EcoPro's Mining Grade LED lights deliver exceptional output for heavy earthmoving and mining applications — but on the Caterpillar D8T Dozer, the cab's front deflector can obstruct the light beam when LEDs are mounted in the standard position. EcoPro's **D8T LED Mounting Bracket** solves this by extending the light fixture forward and outward, positioning it beyond the deflector so the full beam is unobstructed.



Side Cab Light Relocation Bracket for D8T — Engineering Drawing (DWG. NO. ABKD8TSCNLUF, Rev 01)



The EcoPro D8T LED Mounting Bracket extends the light fixture forward and clear of the cab deflector — so the full beam reaches the work area without obstruction. Purpose-built for EcoPro Mining Grade LEDs on the Caterpillar D8T Dozer.

Installation Overview

- Step 1 — Orient the bracket:** Position the D8T LED Mounting Bracket at the front of the cab, extending forward past the deflector. The bracket arm projects the light fixture clear of the rail obstruction.
- Step 2 — Secure the bracket:** Fasten the bracket to the cab mounting points using the included hardware. Confirm all fasteners are tight before proceeding.
- Step 3 — Mount the LED light:** Attach the EcoPro Mining Grade LED fixture to the bracket head and secure firmly.
- Step 4 — Route wiring:** Run the LED wiring back along the bracket arm to the cab power source, securing at intervals to prevent vibration wear.
- Step 5 — Verify aim and clearance:** Confirm the light clears the deflector at all dozer blade positions, and aim the beam as needed before returning to service.

NOTE: Some modification may be needed depending on exact deflector configuration. Contact EcoPro for assistance or additional parts.

Service Parts

PART NUMBER	DESCRIPTION
D8T-LED-BKT	LED Mounting Bracket — Caterpillar D8T (KPZ configuration)
D8T-LED-HDW	Replacement Hardware Kit for D8T LED Bracket